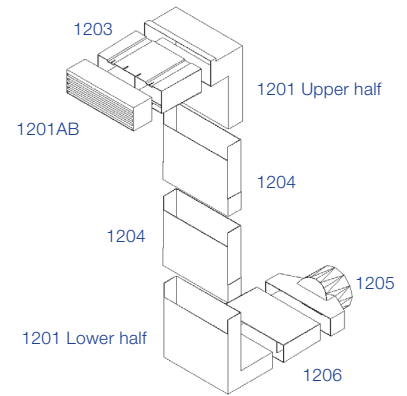
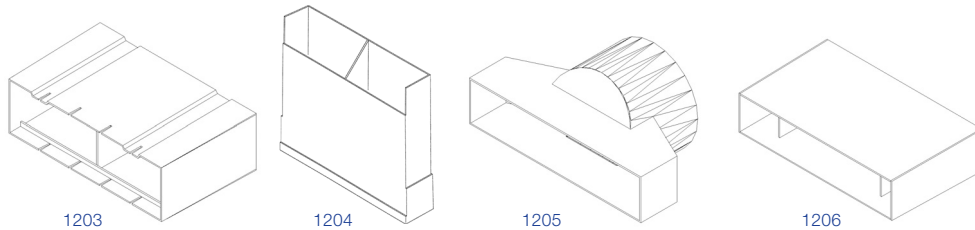


Accessories

Easy-to-use accessories for a range of underfloor ventilation applications



Use

- To provide horizontal or vertical extension to a telescopic underfloor ventilator to accommodate different wall/cavity/brick courses etc.
- To connect the ventilator to a duct

Features and benefits

- Does not restrict airflow through the main telescopic underfloor ventilator
- Purpose-made accessories eliminate the need for on site modifications
- Lightweight and easy to handle
- Durable and totally resistant to decay

Quality

- Satisfies all NHBC requirements
- Manufactured to BS EN ISO 9001 : 2000
- Complies with all relevant Building Regulations
- Meets all relevant British Standards

Material and colour choice

- All standard accessories are injection moulded in polypropylene
- All accessories are available in black only

Products in the system

Horizontal front extension sleeve - Product 1203
Fits between the airbrick and upper front opening of the telescopic underfloor ventilator to accommodate external walls of more than 102.5mm thickness, up to a maximum of 215mm.

Vertical extension sleeve - Product 1204
Fits between the upper and lower parts of the telescopic underfloor ventilator to accommodate a vertical step of more than five brick courses.

Duct adaptor - Product 1205
Fits on to the lower rear opening of the telescopic underfloor ventilator to allow a standard 110mm external diameter plastic underground drainage pipe to be connected via a coupling connection.

Horizontal rear extension sleeve - Product 1206
Fits into the lower rear opening of the telescopic underfloor ventilator to accommodate cavity widths between 50-150mm - or internal walls of more than 100mm thickness, up to a maximum of 200mm.

Installation advice

- Product 1203 should be fitted with the slotted end to accept the airbrick. 1203 sleeves can also be slotted together to form longer sections if required
- Product 1204 fits externally over the upper and lower parts of the ventilator, units can be multi stacked for greater height

- Product 1205 has a 'push-fit' opening for the drainage pipe. The vermin grille of the ventilator can be left in position. For fitting to drainage pipe a coupling will be required
- Product 1206 fits over the lower rear opening of the ventilator. The vermin grille must first be removed to allow this, and then replaced at the other end of the extension sleeve. 1206 sleeves can also be slotted together to form longer sections if required
- To improve joins between the telescopic underfloor ventilator and an accessory, seal using insulating tape or duct tape

How to order

- Establish which part of the telescopic underfloor ventilator needs extending, and specify the appropriate accessory

Bill of quantity

F30 Accessories/sundry items for brick/block/stone walling

Clause

160 AIR BRICK

To BS493, Class 1, built in as the work proceeds.

• Manufacturer: **Timloc Building Products, Rawcliffe Road, Goole, East Yorkshire, DN14 6UQ. Tel: 01405 765567, Fax: 01405 720479. Web: www.timloc.co.uk**

• Reference: **Accessories**

• Design: **Various**

• Work size: **Various**

• Material: **Thermoplastic**

• Colour: **Black**

• Optional Accessories:.....

1203 Horizontal Front Extension (+115mm)

1204 Vertical Extension Sleeve (additional 2 brick courses)

1205 Duct Adaptor (suits 110mm diameter duct)

1206 Horizontal Rear Extension (+100mm)

Product codes

Accessories

Description	To suit	Product code
Horizontal front extension	+ 115mm	1203
Vertical extension sleeve	Additional 2 brick courses	1204
Duct adaptor	Suits 110mm diameter duct	1205
Horizontal rear extension	+ 100mm	1206

The table below shows how the build up of telescopic underfloor ventilators and vertical extension pieces achieve required building in height

Description	Brick height	Rise (mm)
1201 telescopic under floor vent	3-5	225/375
+ 1 No. 1204 vertical extension sleeve	6-7	450/525
+ 2 No. 1204 vertical extension sleeve	8-9	600/675
+ 3 No. 1204 vertical extension sleeve	10-11	750/825
+ 4 No. 1204 vertical extension sleeve	12-13	900/975